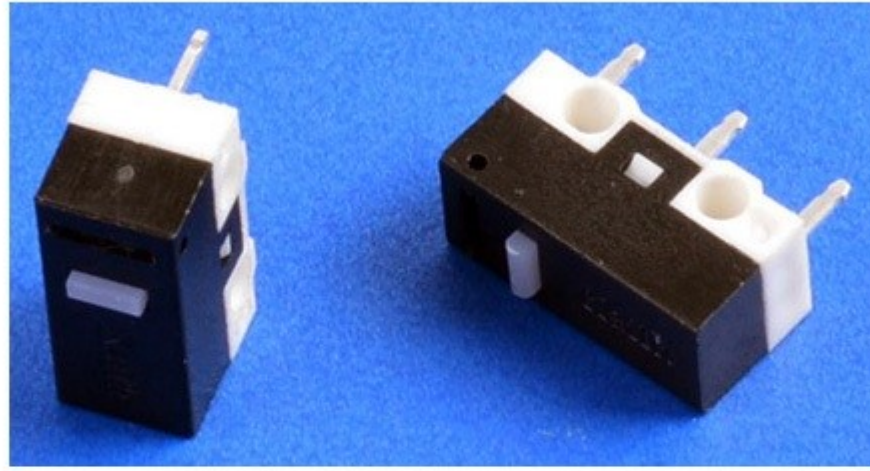
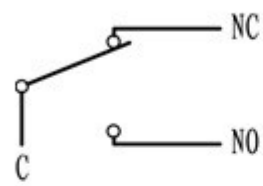
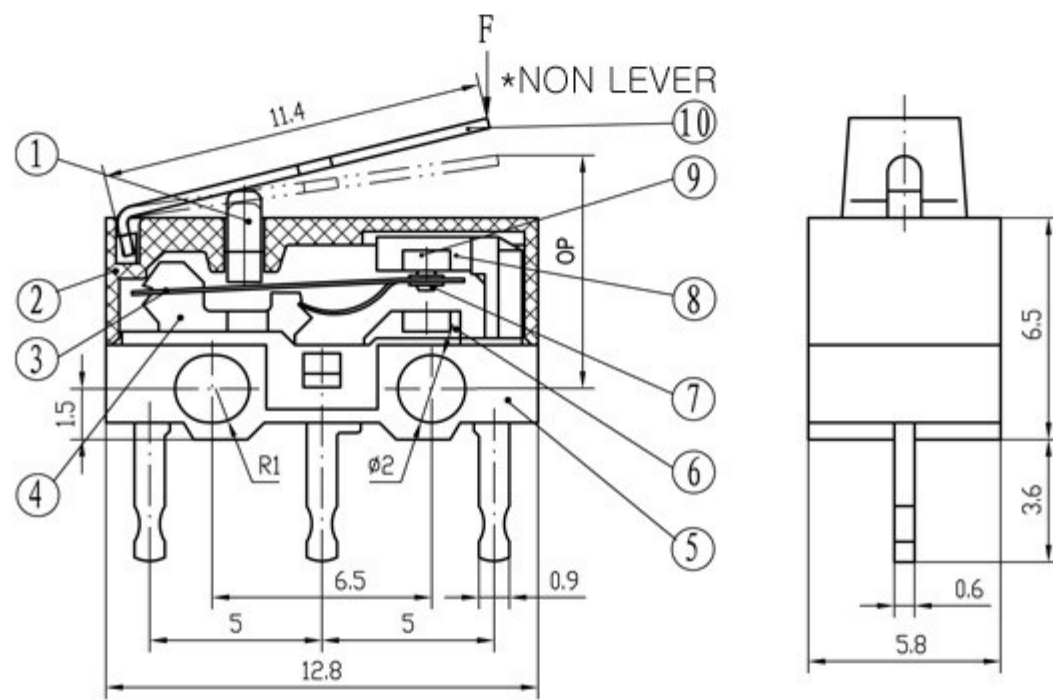


품명 : KW-10(NON LEVER)



제품도면



Circuit

제품스펙

RATINGS : 1A/125VAC/250VAC

Insulation Resistance : 10Mohm

Contact Resistance : 50mohm

Operating force : 0.26N

Operating Position : NON LEVER